

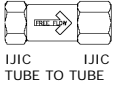
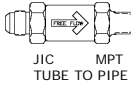

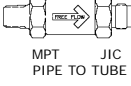


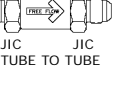
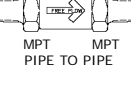
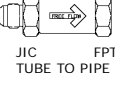
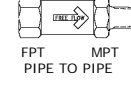
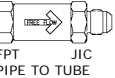
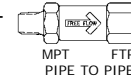


KEPNER PRODUCTS COMPANY

ESTABLISHED IN 1948

Part Numbers: Kep-O-seal® High Pressure Relief Check Valve
Fixed Settings 1/8" to 1" sizes

PORT CONFIGURATIONS

59 IJIC - IJIC		47 JIC - MPT	
57 JIC - IJIC		45 MPT - JIC	
55 IJIC - JIC		44 FPT - FPT	
53 JIC - JIC		43 MPT - MPT	
51 JIC - FPT		42 FPT - MPT	
49 FPT - JIC		41 MPT - FPT	

PART NUMBER EXAMPLE

44 06 - C - 3 - 25

PORT SIZES

04 = 1/8 PIPE - 1/4 TUBE	10 = 1/2 PIPE - 5/8 TUBE
06 = 1/4 PIPE - 3/8 TUBE	12 = 3/4 PIPE - 3/4 TUBE
08 = 3/8 PIPE - 1/2 TUBE	16 = 1" PIPE - 1" TUBE

CONSTRUCTION MATERIALS

C = STEEL D = 303 STAINLESS STEEL

O-RING SEALS

3 = TEFLON®

CRACK PRESSURE

5 = 5 PSI CRACK	50 = 50 PSI CRACK
10 = 10 PSI CRACK	65 = 65 PSI CRACK
25 = 25 PSI CRACK	OTHERS AVAILABLE

Valve performance is dependent on proper selection, application, installation and maintenance. Consult Factory.

Kepner Products Company, Villa Park, IL 630.279.1550 E-mail: kepner@kepner.com