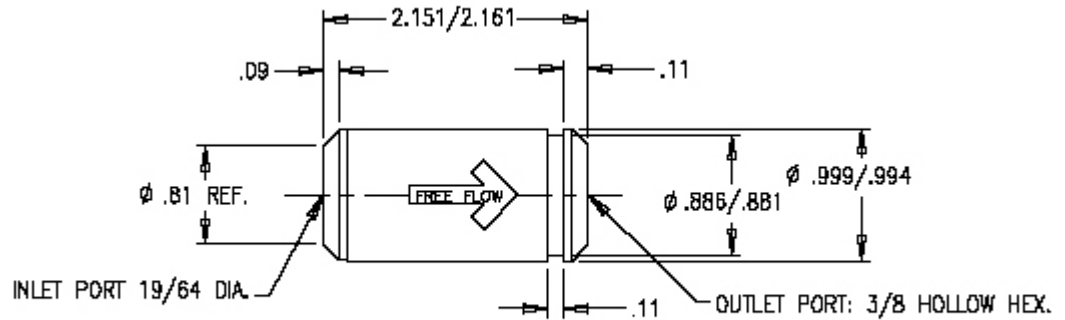




KEPNER PRODUCTS COMPANY

ESTABLISHED IN 1948

Dimensions: Series 1354 Kepsel® Adjustable Cartridge Relief Valve



NOTES:

1. CRACK PRESSURE ADJUSTABLE
2. VALVE MUST BE HELD END FOR END IN USE
3. ALL DIMENSIONS ARE FOR REFERENCE ONLY

MODEL	ADJUSTMENT RANGE (PSI)	EXTERNAL SEAL O-RING SIZE
1354 (MATL. CODE) - 400	50-400	020
" - 1000	300-1000	
" - 2000	900-2000	

Valve performance is dependent on proper selection, application, installation and maintenance. Consult Factory.

Kepner Products Company, Villa Park, IL 630.279.1550 E-mail: kepner@kepner.com