



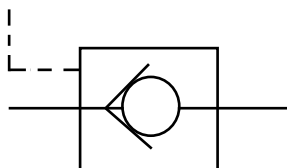
KEPNER PRODUCTS COMPANY

ESTABLISHED IN 1948

TIPS# 14

Kep-O-Lok® Single Lock Valves

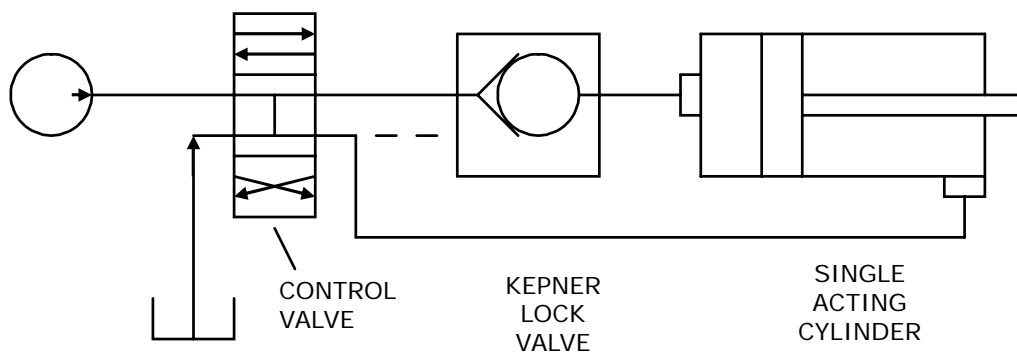
ANSI SYMBOL:



Kep-O-Lok® 2700 series Single Lock valves have the Zero Leakage *Flexible Seal Seat™* and are primarily used as cylinder holding valves. The valve free flows from valve port to cylinder port and checks reverse flow until the pilot is energized. The valve opens to reverse flow on application of pilot pressure.

All Pilot ports are 1/4 NPTF female pipe.
Pipe threads are NPTF (Dryseal) female.
SAE ports are internal straight thread O-Ring boss.
Conforms to MS 16142 (SHIPS)

TYPICAL APPLICATION:



The cylinder is held locked, against retracting, by the Kep-O-Lok® Valve, as long as the directional control valve is centered. When the control valve is shifted to the retract position, oil pressure in line to piston rod end is used to pilot the Lock Valve open. The cylinder then retracts.

Kep-O-Lok® valves are used in clamping and position holding applications; and for safety holding against line rupture or control valve leakage.

Valve performance is dependent on proper selection, application, installation and maintenance. Consult Factory.

Kepner Products Company, Villa Park, IL 630.279.1550 E-mail: kepner@kepner.com